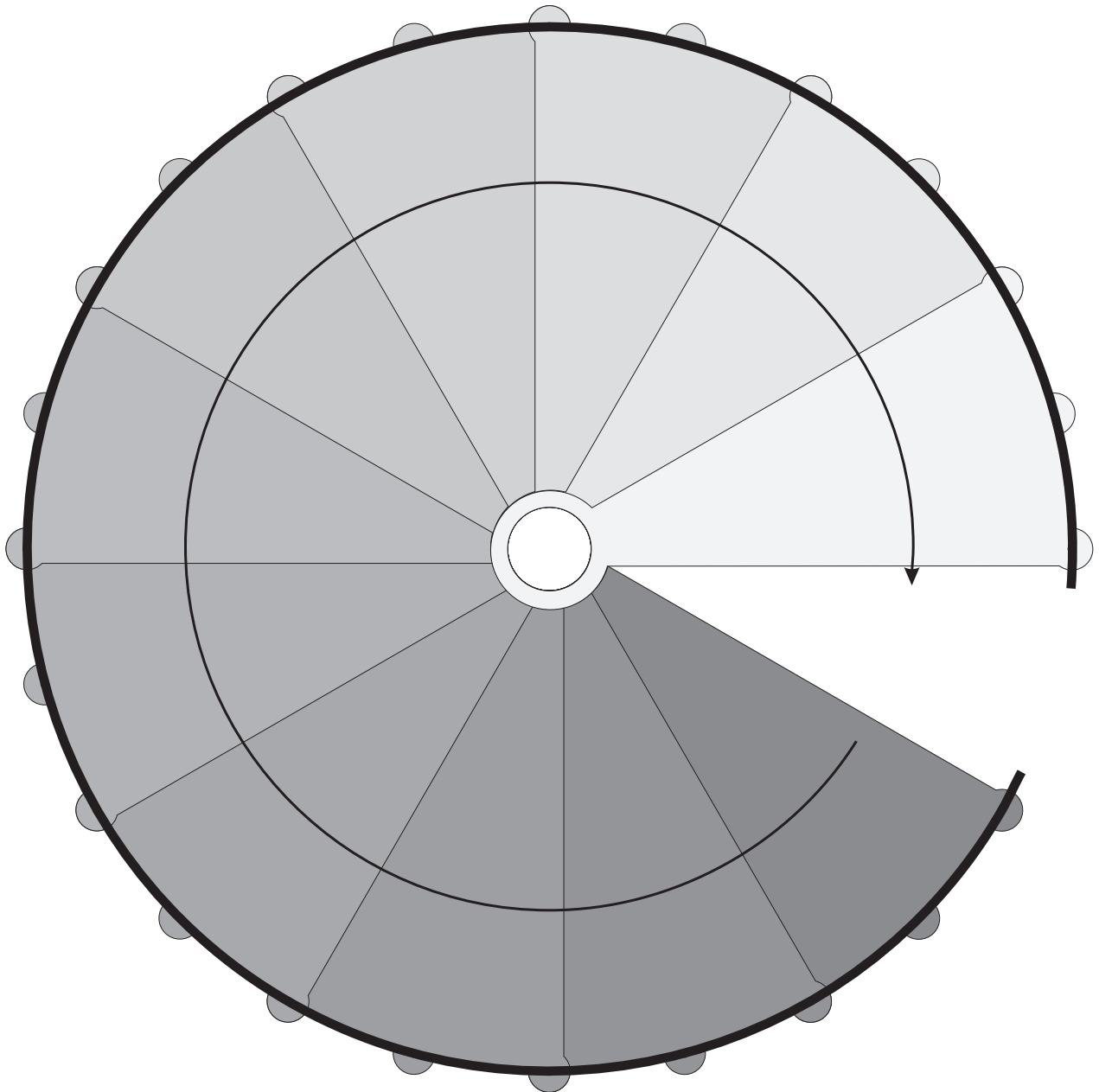




# Villa d'Or

## Spiral staircase Reims

Turning clockwise with 12 steps to the circle (360°)



/-----1670-----/

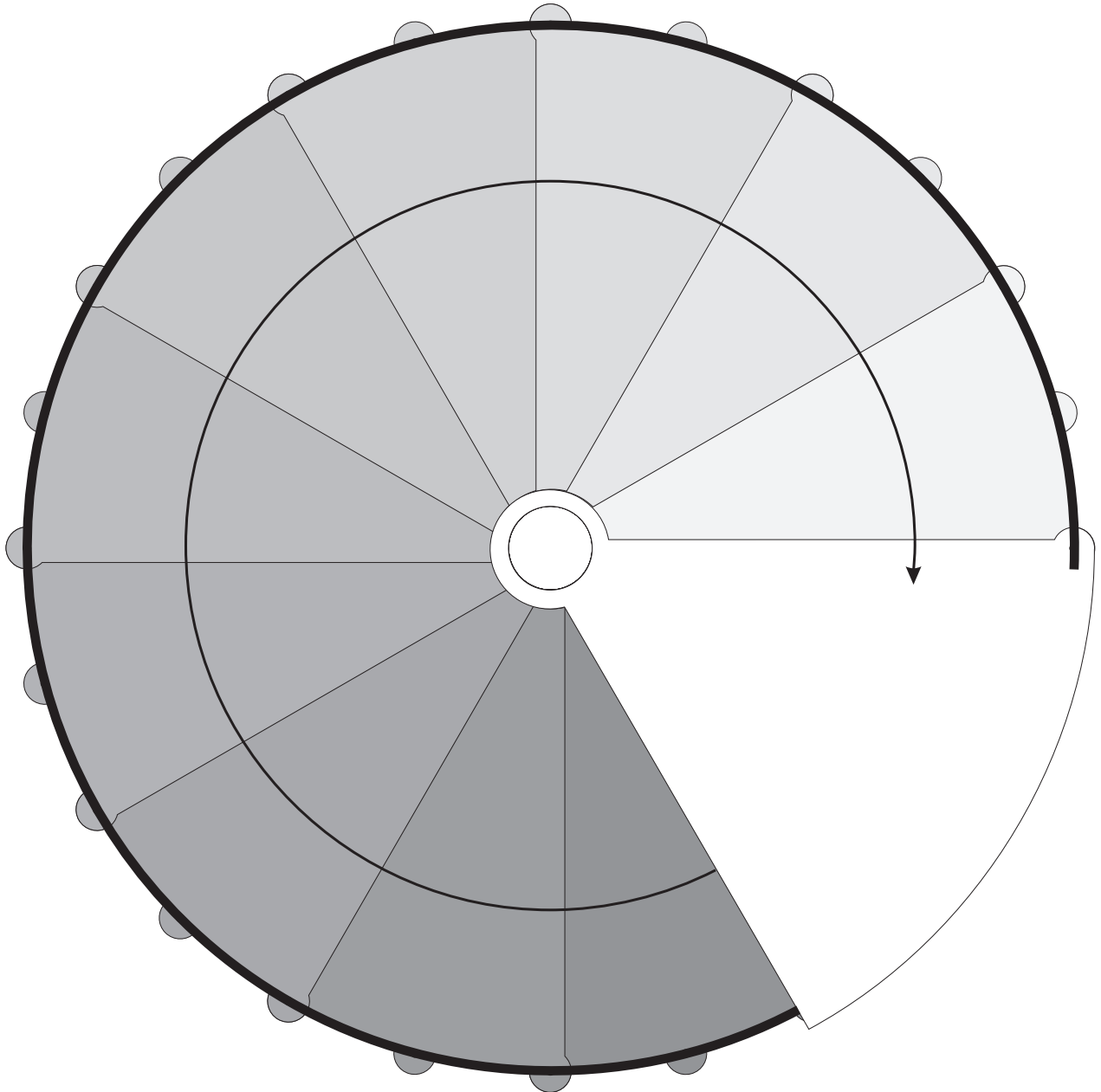
Sketch with 11 treads



# Villa d'Or

## Spiral staircase Reims

Turning clockwise with 12 steps to the circle (360°)



/-----1670-----/

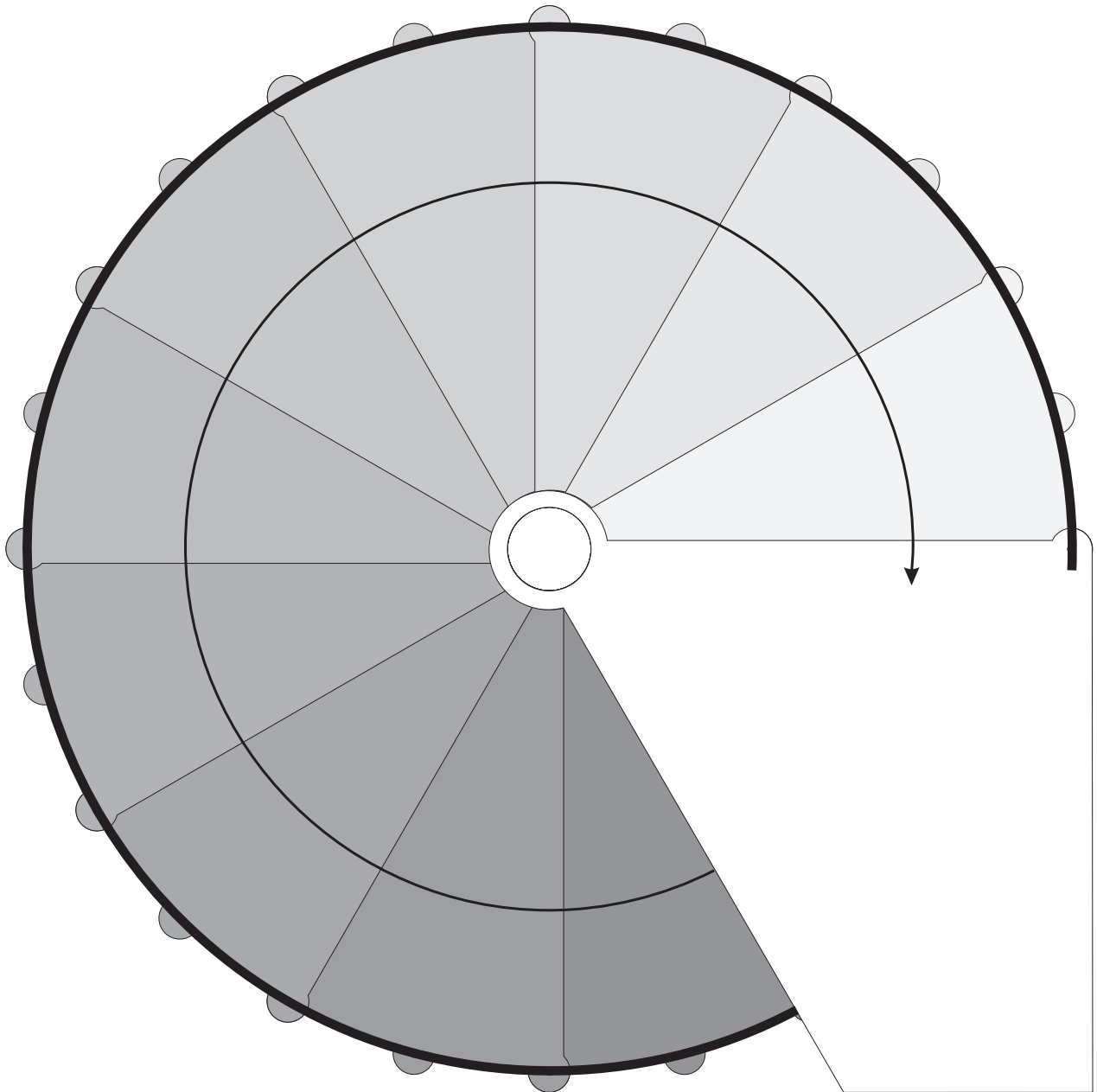
Sketch with 10 treads and turning landing



# Villa d'Or

## Spiral staircase Reims

Turning clockwise with 12 steps to the circle (360°)



/-----1670-----/

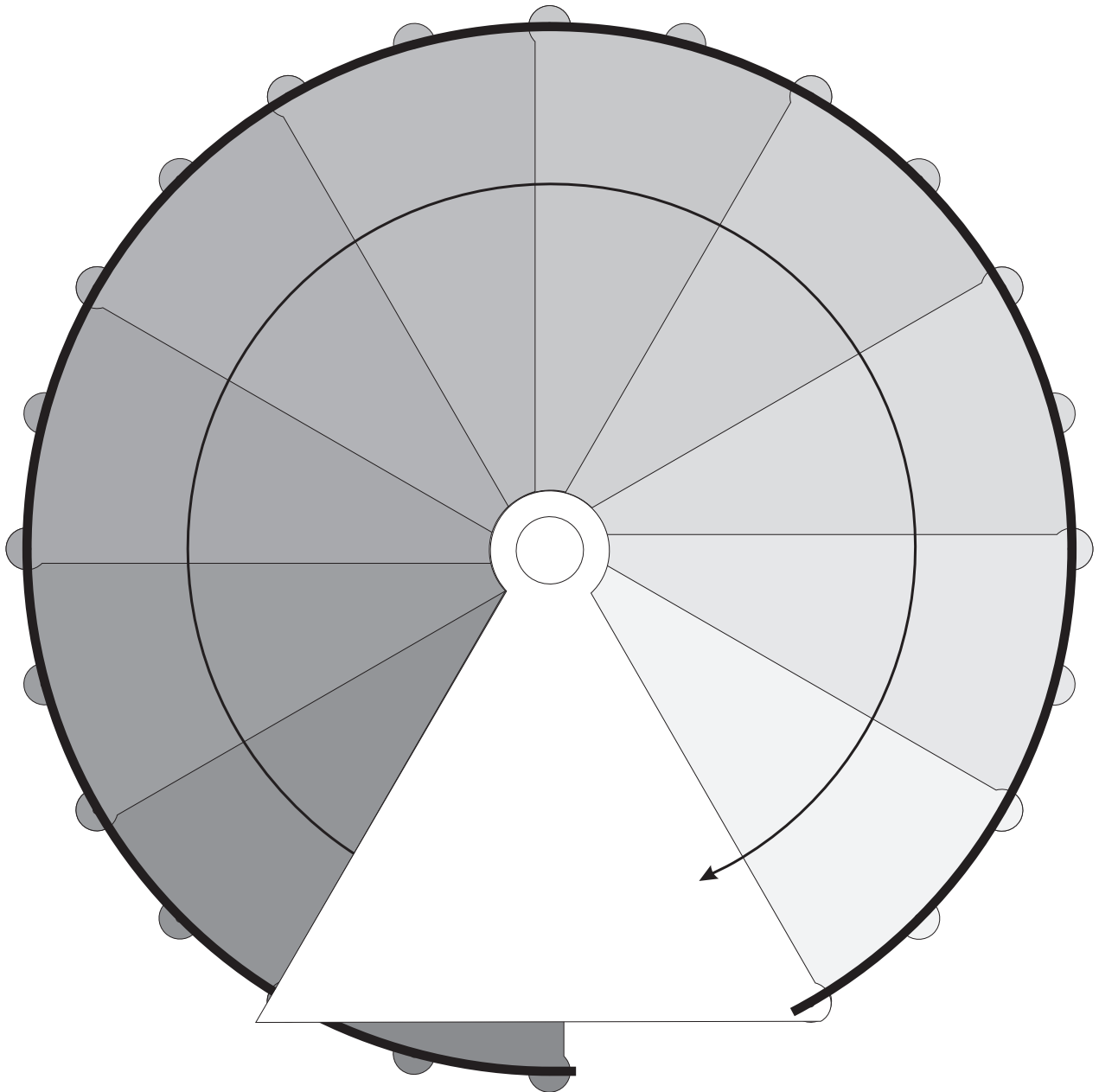
Sketch with 10 treads and straight corner landing



# Villa d'Or

## Spiral staircase Reims

Turning clockwise with 12 steps to the circle (360°)



1670

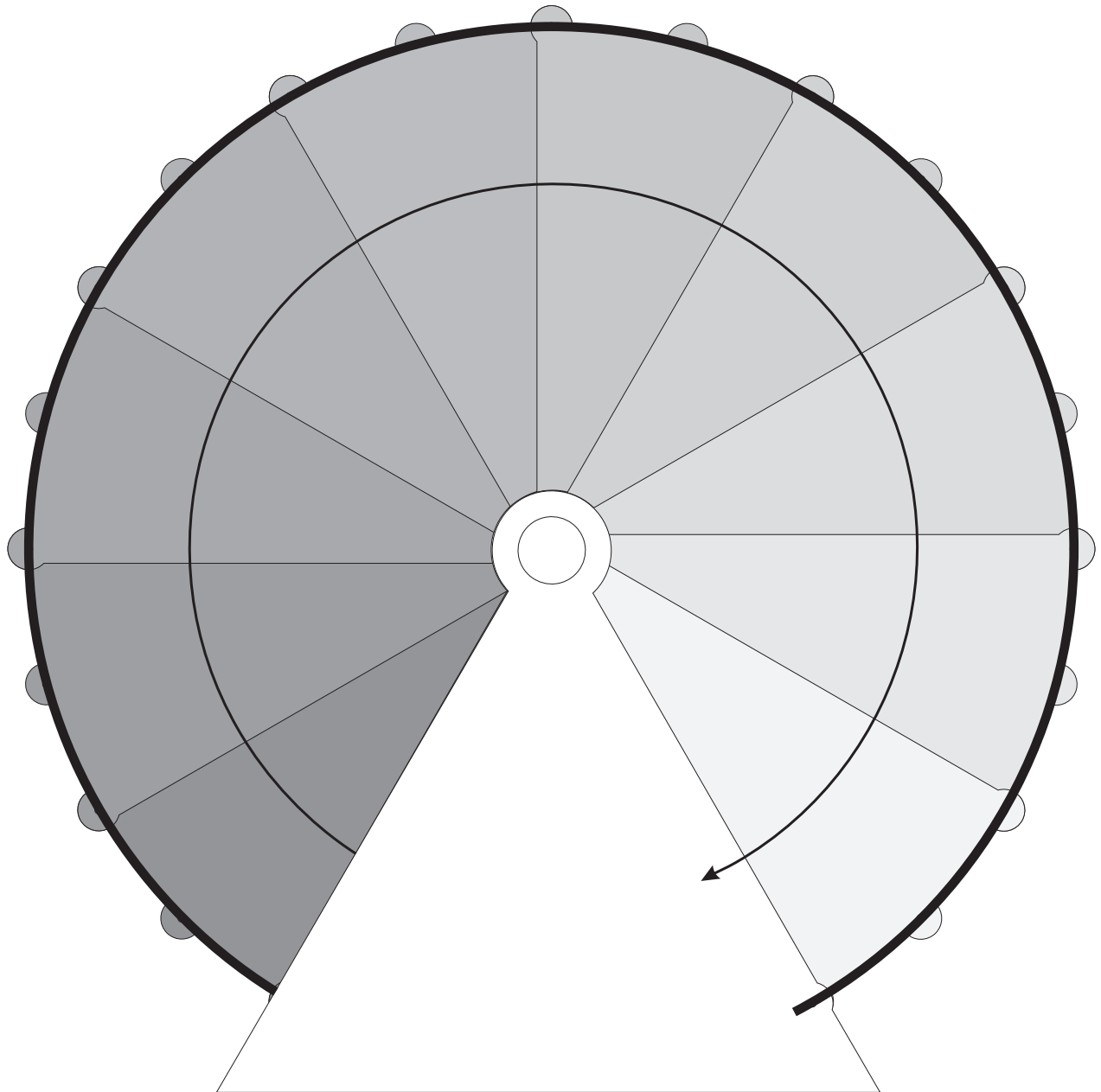
Sketch with 11 treads and triangular landing



# Villa d'Or

## Spiral staircase Reims

Turning clockwise with 12 steps to the circle (360°)



/-----1670-----/

Sketch with 10 treads and extended triangular landing