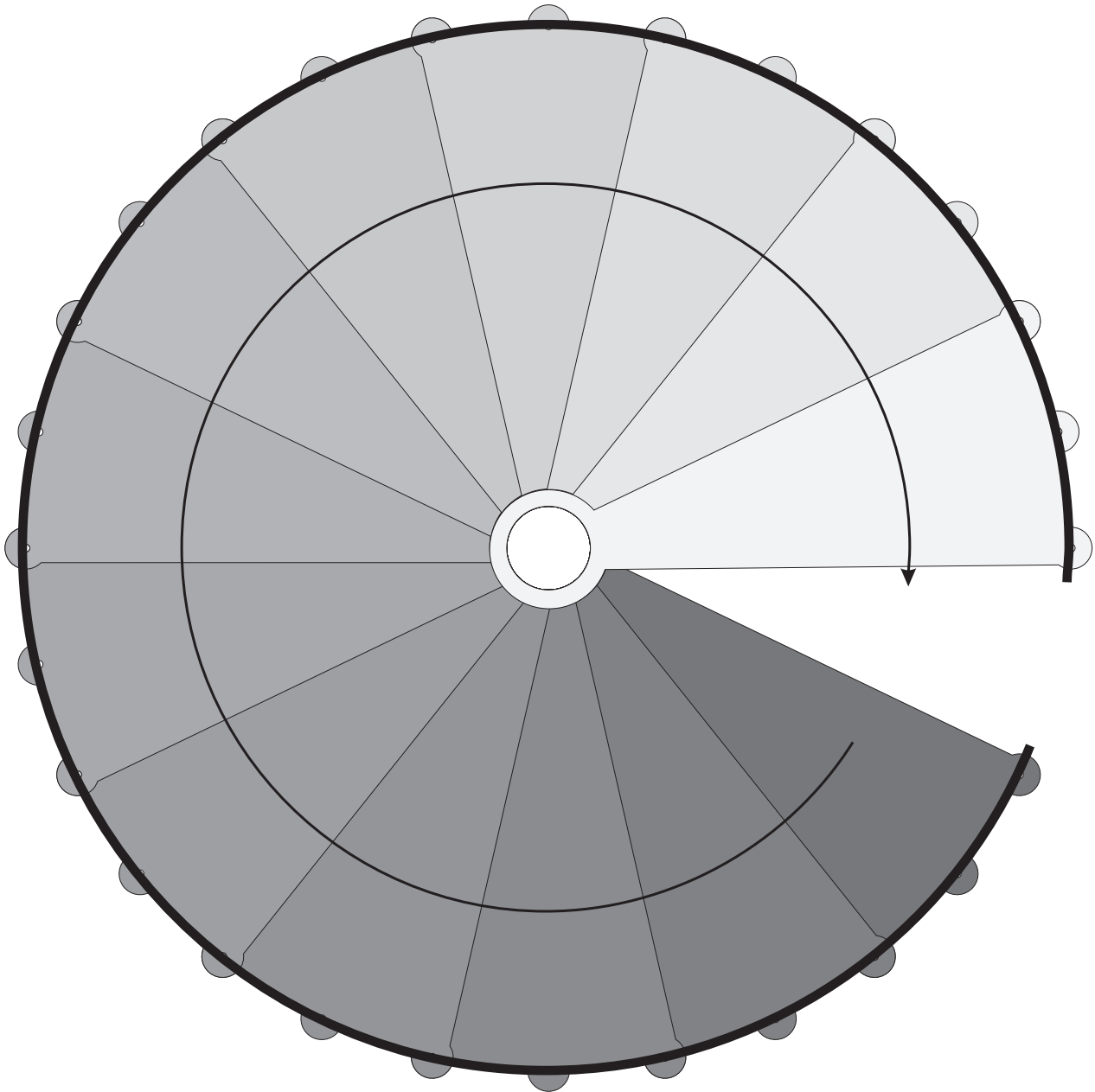




# Villa d'Or

## Spiral staircase Reims

Turning clockwise with 14 steps to the circle (360°)



/-----1670-----/

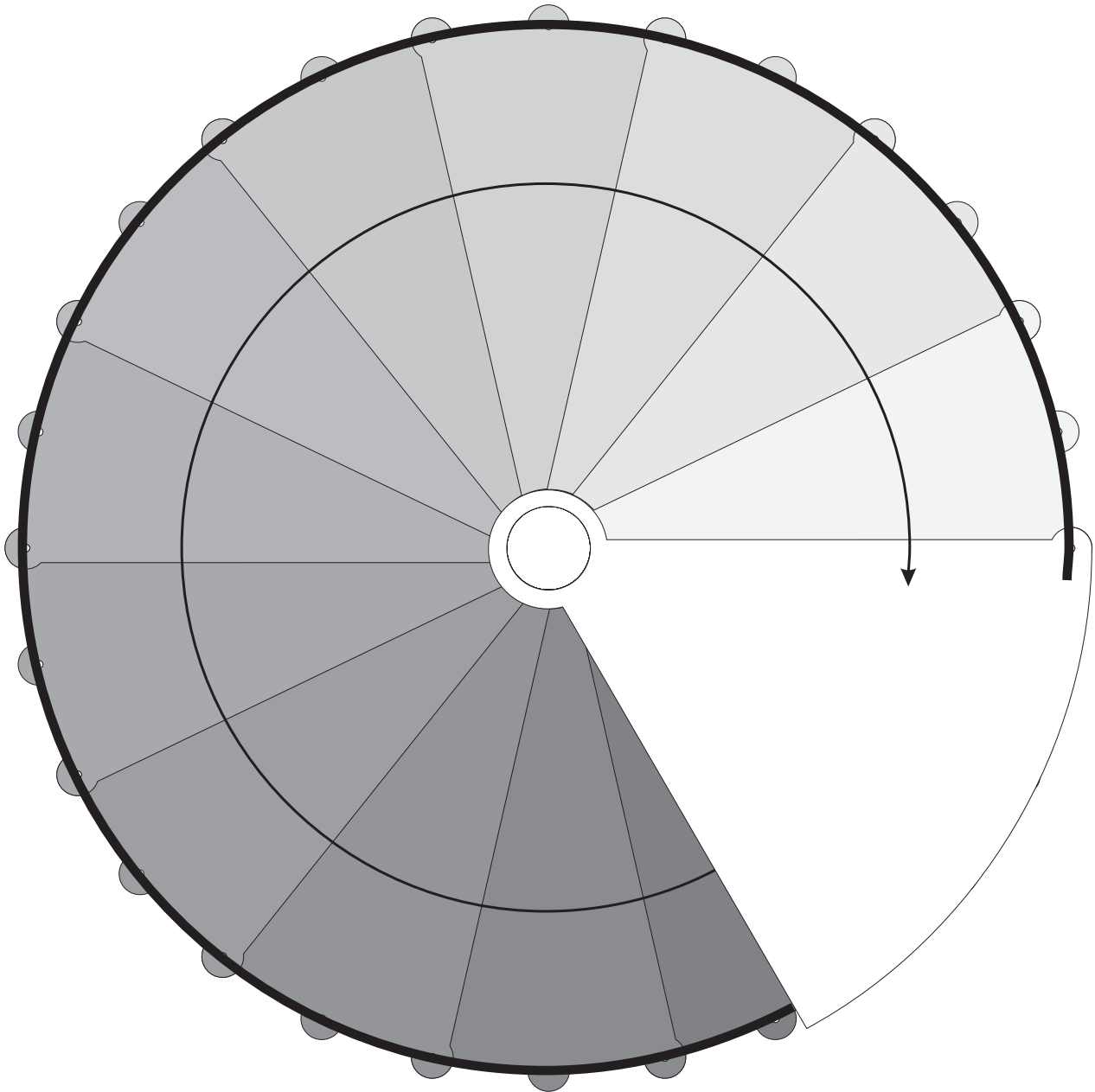
Sketch with 13 treads



# Villa d'Or

## Spiral staircase Reims

Turning clockwise with 14 steps to the circle (360°)



/-----1670-----/

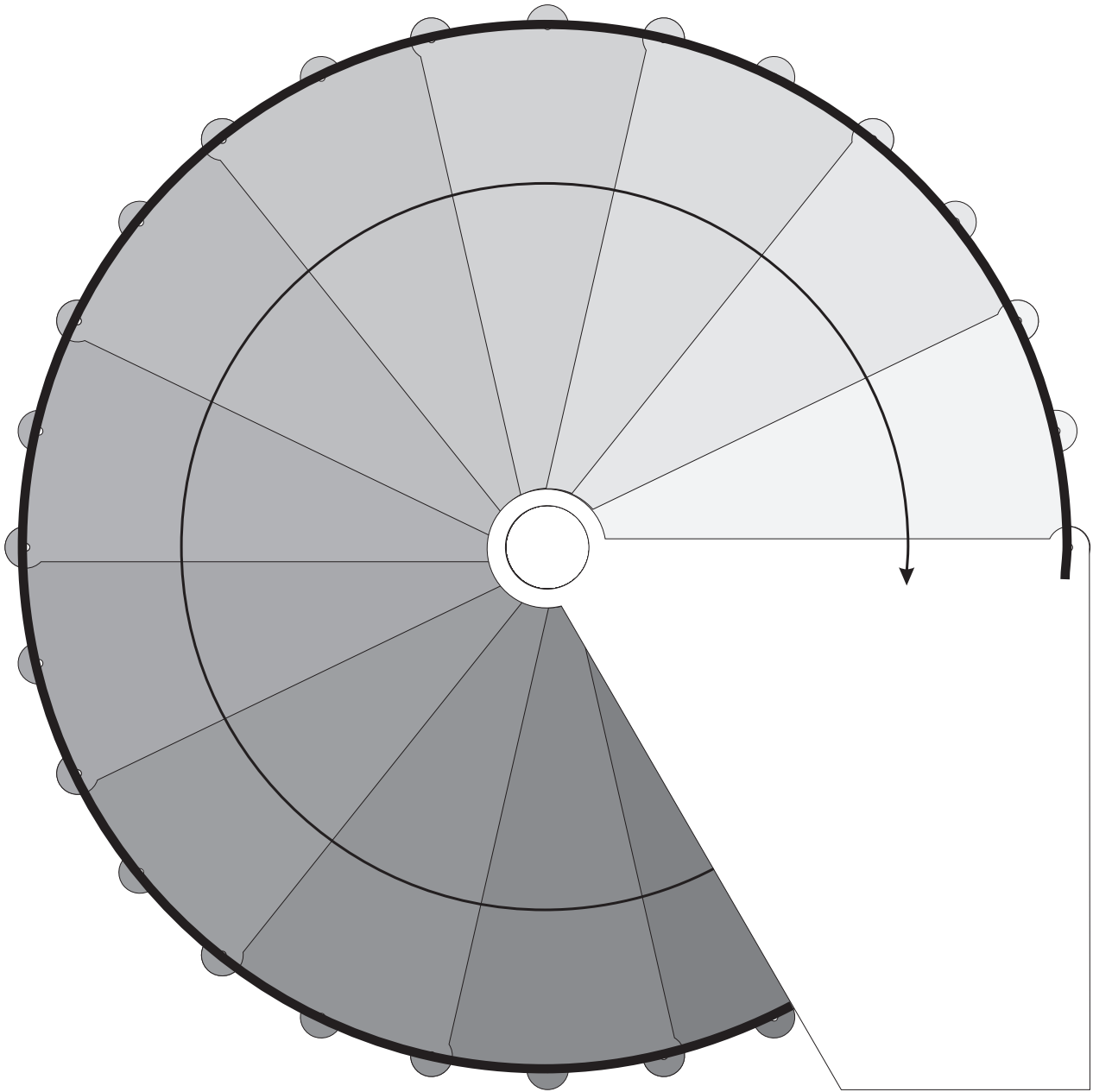
Sketch with 12 treads and turning landing



# Villa d'Or

## Spiral staircase Reims

Turning clockwise with 14 steps to the circle (360°)



/-----1670-----/

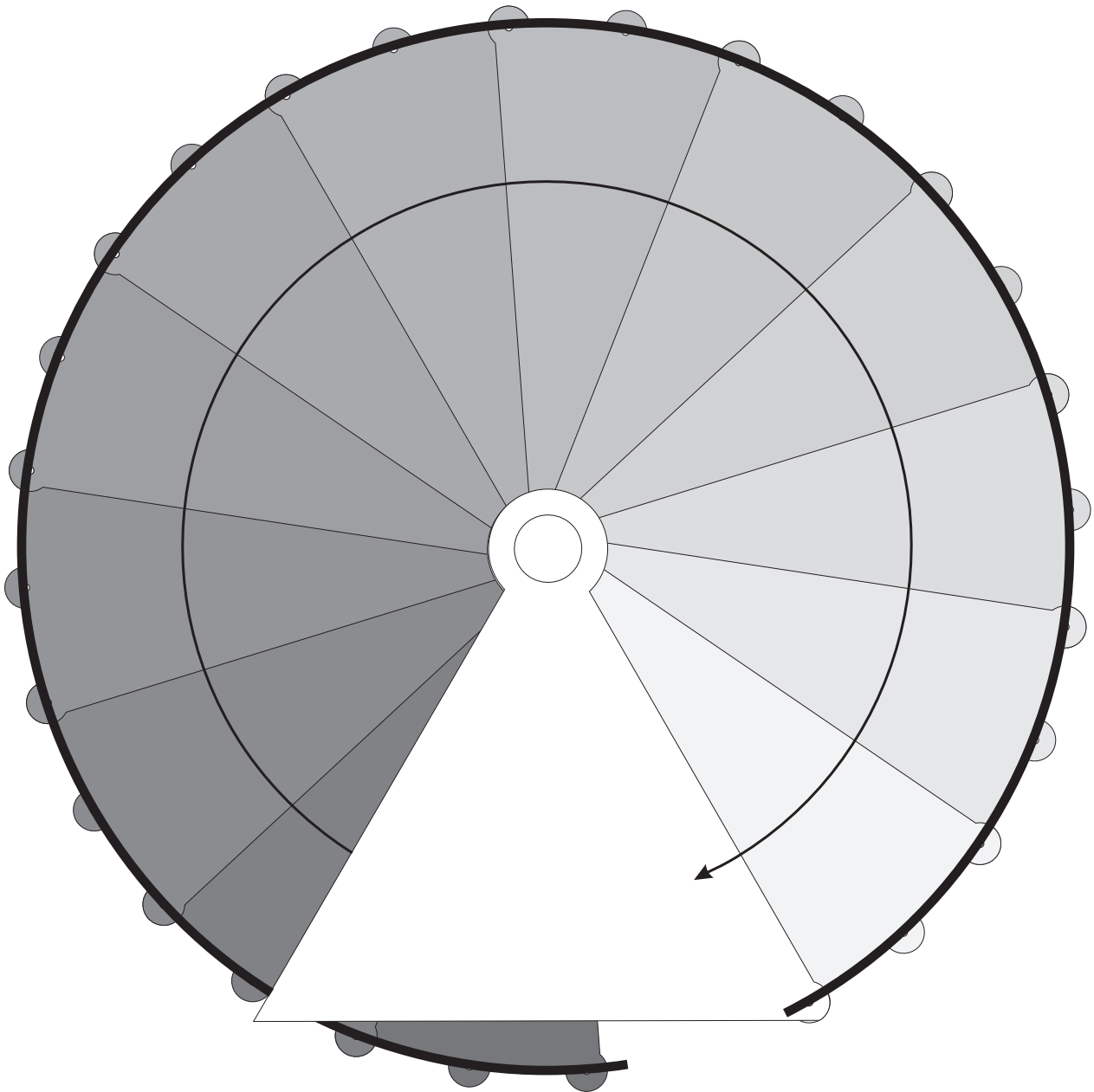
Sketch with 12 treads and straight corner landing



# Villa d'Or

## Spiral staircase Reims

Turning clockwise with 14 steps to the circle (360°)



1670

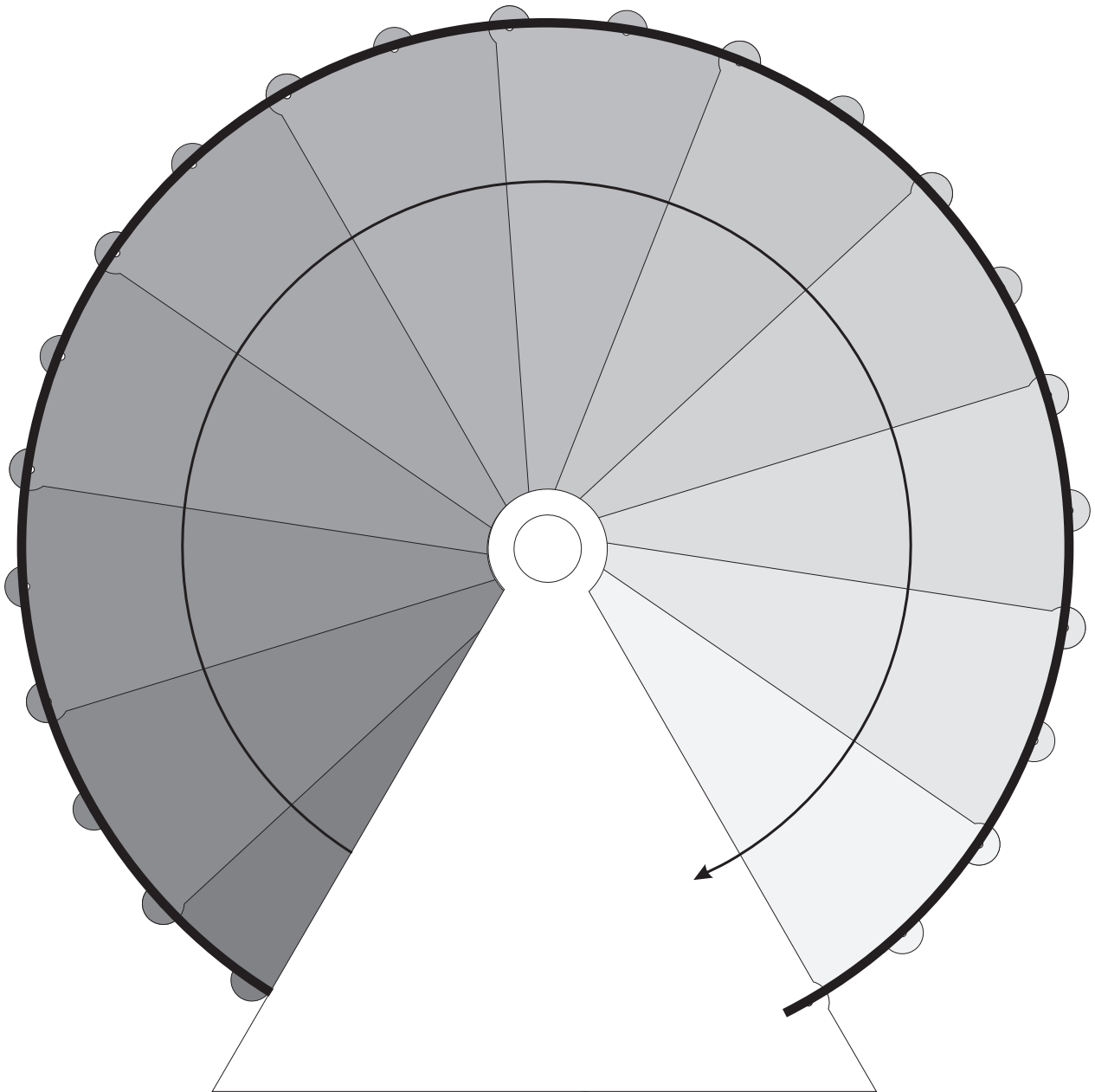
Sketch with 13 treads and triangular landing



# Villa d'Or

## Spiral staircase Reims

Turning clockwise with 14 steps to the circle (360°)



1670

Sketch with 12 treads and extended triangular landing