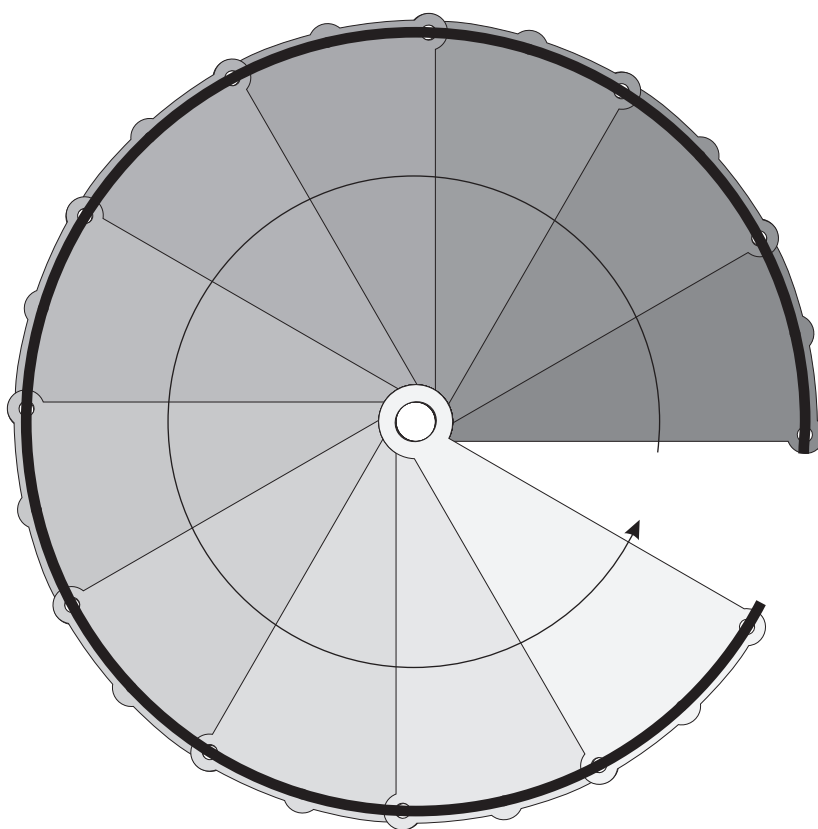




Villa d'Or

Spiral staircase Mirecourt

Turning anti-clockwise with 12 steps to the circle (360°)



/-----1080-----/

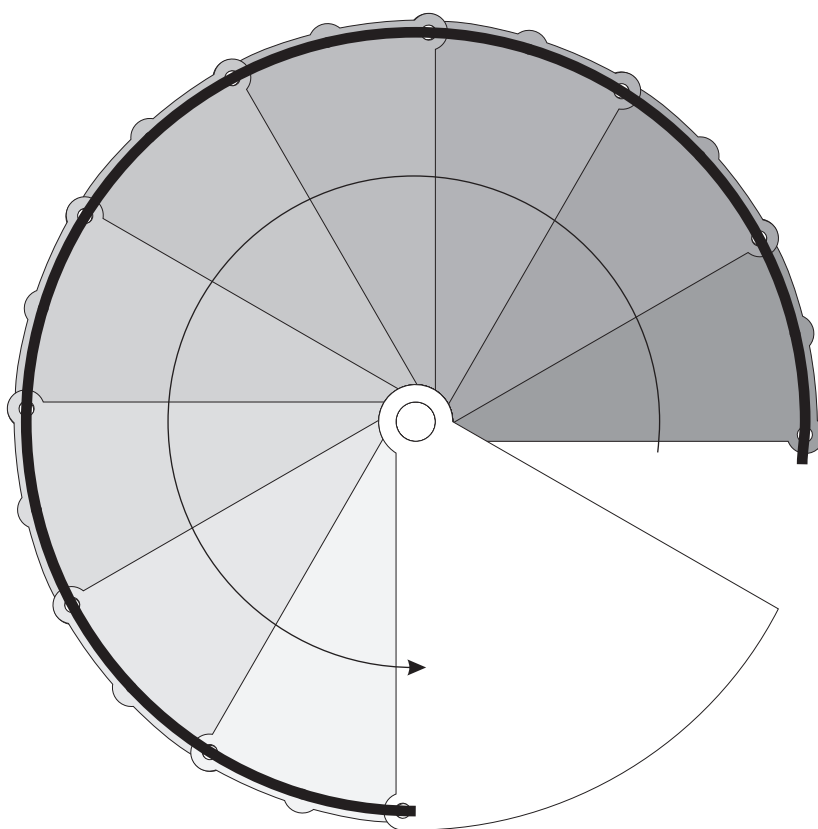
Configuration with 11 treads



Villa d'Or

Spiral staircase Mirecourt

Turning anti-clockwise with 12 steps to the circle (360°)



/-----1080-----/

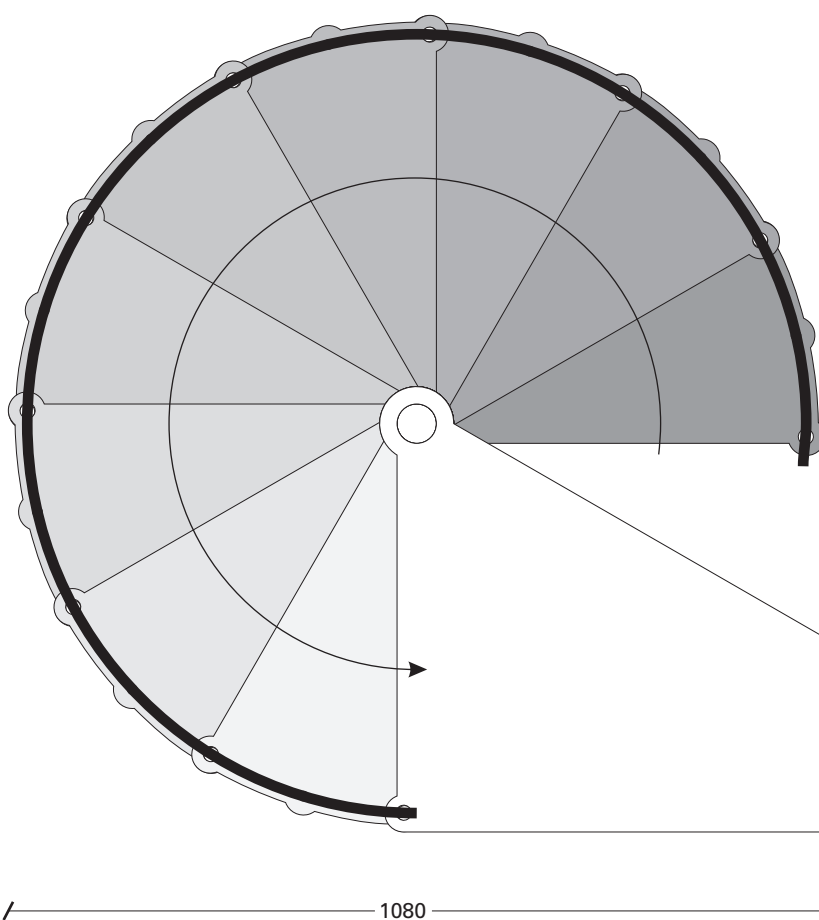
Configuration with 9 treads and 1/6 round landing



Villa d'Or

Spiral staircase Mirecourt

Turning anti-clockwise with 12 steps to the circle (360°)



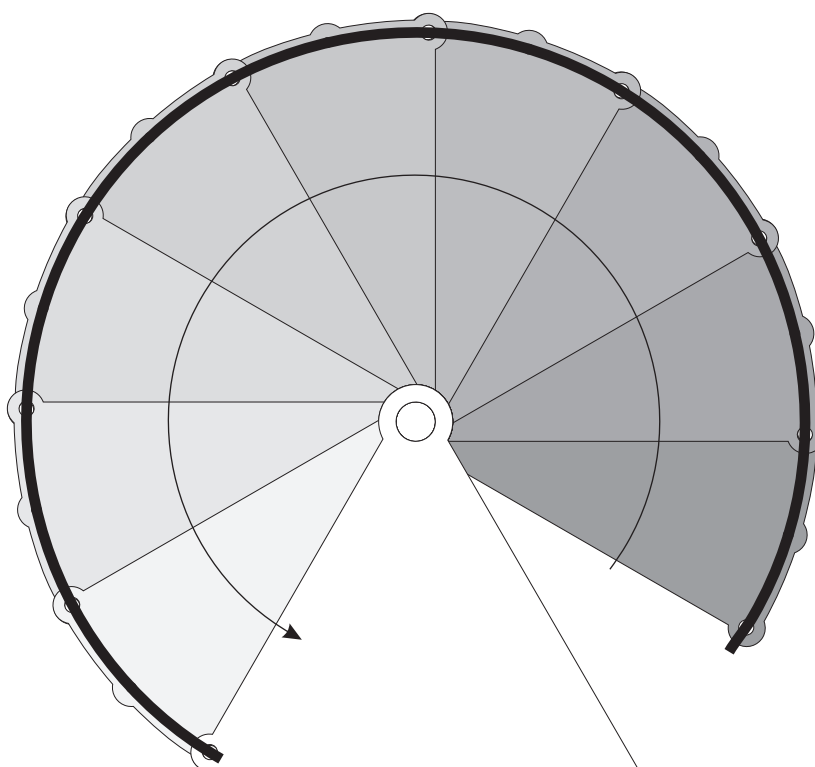
Configuration with 9 treads and straight corner landing



Villa d'Or

Spiral staircase Mirecourt

Turning anti-clockwise with 12 steps to the circle (360°)



1080

Configuration with 9 treads and triangular landing